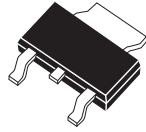


CZSH10-40CN

SURFACE MOUNT
DUAL, COMMON CATHODE
SILICON
SCHOTTKY POWER RECTIFIER
10 AMP, 40 VOLTS



SOT-223C CASE

CentralTM
Semiconductor Corp.

DESCRIPTION:

The CENTRAL SEMICONDUCTOR CZSH10-40CN is a dual common cathode 10 Amp surface mount silicon Schottky rectifier package in a SOT-223C case. The new SOT-223C case has a cut center lead for optional mounting pad connection of the two anodes for use as a single 10 Amp device. This device has been designed for use in all types of commercial, industrial, entertainment, computer and automotive applications, which require a high current device.

MARKING CODE: FULL PART NUMBER

MAXIMUM RATINGS: ($T_A=25^\circ\text{C}$ unless otherwise noted)

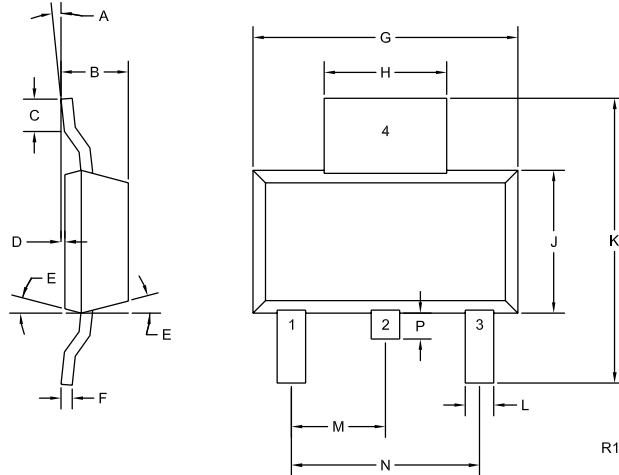
	SYMBOL		UNITS
Peak Repetitive Reverse Voltage	V_{RRM}	40	V
DC Blocking Voltage	V_R	40	V
RMS Reverse Voltage	$V_{R(RMS)}$	28	V
Average Forward Current ($T_A=75^\circ\text{C}$)	I_O	10	A
Peak Forward Surge Current (8.3ms)	I_{FSM}	125	A
Operating and Storage			
Junction Temperature	T_J, T_{stg}	-65 to +150	$^\circ\text{C}$

ELECTRICAL CHARACTERISTICS PER DIODE: ($T_A=25^\circ\text{C}$ unless otherwise noted)

SYMBOL	TEST CONDITIONS	MAX	UNITS
I_R	$V_R=40\text{V}$	3.0	mA
I_R	$V_R=40\text{V}, T_A=100^\circ\text{C}$	20	mA
V_F	$I_F=5.0\text{A}$	0.55	V
* V_F	$I_F=10\text{A}$	0.60	V

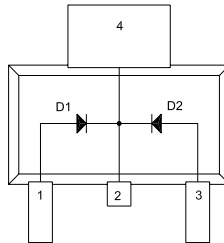
* With pin 1 and pin 3 connected together.

SOT-223C CASE - MECHANICAL OUTLINE



LEAD CODE:

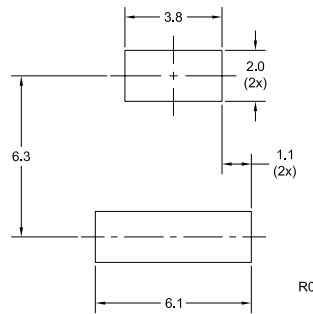
- 1) ANODE D1
- 2) CATHODE D1, D2
- 3) ANODE D2
- 4) CATHODE D1, D2



Pin 2 and Pin 4 are common.

SYMBOL	INCHES		MILLIMETERS	
	MIN	MAX	MIN	MAX
A	0°	7°	0°	10°
B	0.063	0.067	1.50	1.80
C	0.022		0.45	---
D	0.001	0.004	0.00	0.10
E	15°		15°	
F	0.009	0.013	0.23	0.35
G	0.248	0.264	6.30	6.70
H	0.114	0.122	2.90	3.10
J	0.130	0.146	3.30	3.70
K	0.264	0.287	6.70	7.30
L	0.024	0.031	0.60	0.85
M	0.091		2.30	
N	0.181		4.60	
P	-	0.025	-	0.64

SOT-223C (REV: R1)



Optional Mounting Pad Layout for single 10 Amp configuration.

MARKING CODE:
FULL PART NUMBER

R1 (22-July 2004)